

## Información técnica - despiece

## LAVAVAJILLAS DW8 59 FI / DISHWASHER DW8 59 FI

VR00

40716200

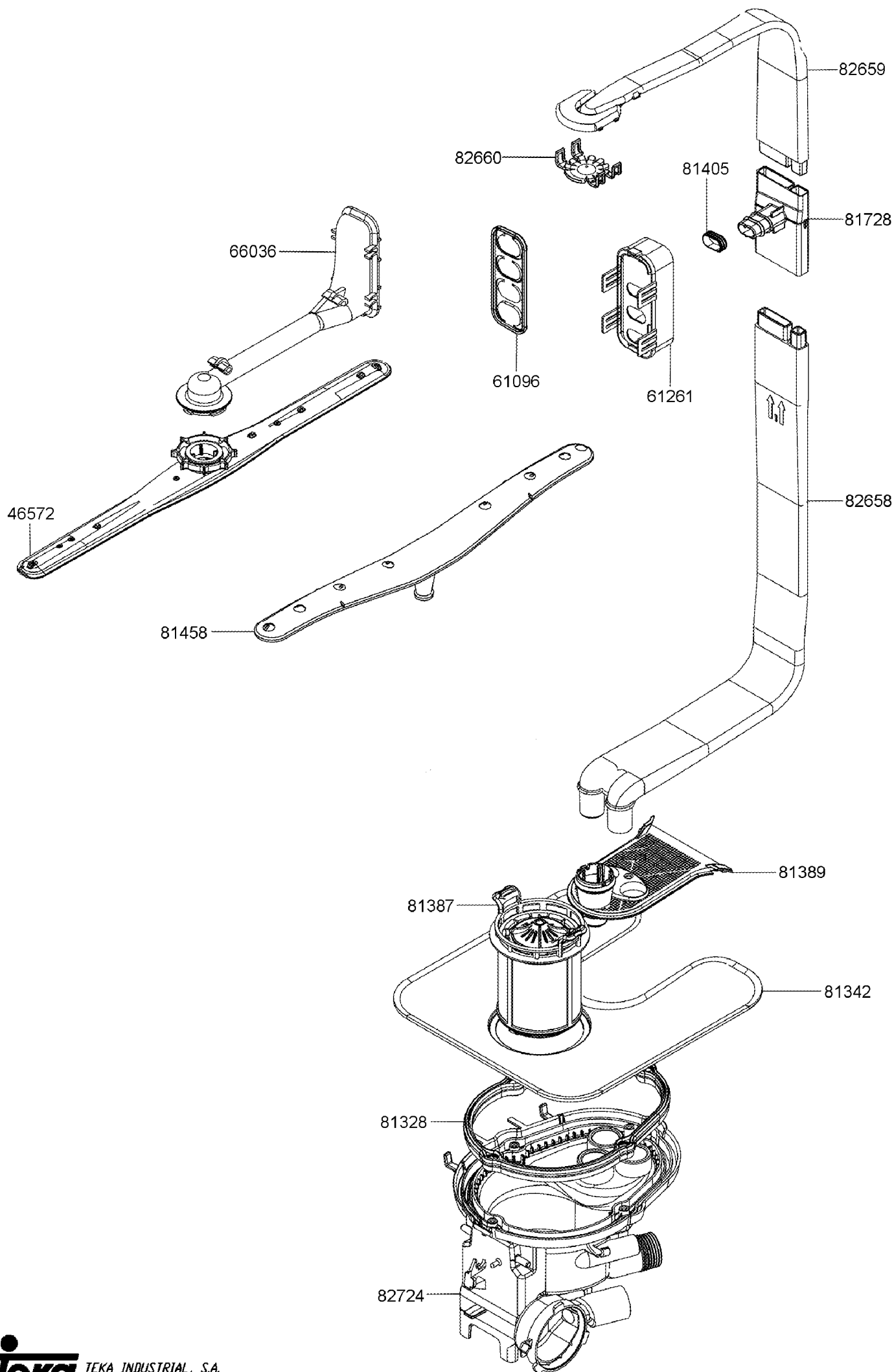
| <u>Posicion</u>    | <u>Código</u> | <u>Artículo</u>                              | <u>Item</u>                          |
|--------------------|---------------|--|--------------------------------------|
| <b>Nº Plano: a</b> |               | <b>Descripción: ASPERSORES Y CONDUCTO</b>    |                                      |
| 46572              | 81722023      | ASPELOR SUPERIOR TDW-80 FI                   | UPPER SPRAYER TDW 80 FI              |
| 61096              | 81742026      | JUNTA 4 POSICIONES DW7-86 FI                 | GASKET 4 POSITIONS H860              |
| 61261              | 81742025      | CONDUCTO SUPERIOR ASPA DW7-86 FI             | DUCT SECTOR UPPER B.860 G            |
| 66036              | 81742024      | CONDUCTO ASPERSOR SUPERIOR DW7-86 FI         | DUCT FOR BASKET                      |
| 81328              | 81717258      | JUNTA BLOQUE HIDRAULICO DW8-59 FI            | DRAIN WELL GASKET DW8-59 FI          |
| 81342              | 81717259      | FILTRO METALICO DW8-59 FI                    | ST.STEEL FILTER DW8-59 FI            |
| 81387              | 81717260      | MICROFILTRO CENTRAL DW8-59 FI                | GR.CENTRAL FILTER DW8-59 FI          |
| 81389              | 81717261      | SOPORTE ASPERSOR INFERIOR DW8-59 FI          | LOWER SPRAYER SUPPOR DW8-59 FI       |
| 81405              | 81717262      | JUNTA INYECTOR SUPERIOR DW8-59 FI            | UPPER NOZZLE GASKET DW8-59 FI        |
| 81458              | 81717263      | ASPELOR INFERRIOR DW8-59 FI                  | LOWER SPRAY ARM DW8-59 FI            |
| 81728              | 81717264      | INSERTO TUBO ALIMENTACION SUP. DW8 59 FI     | INSERT FEEDING TUBE DW8-59 FI        |
| 82658              | 81717265      | TUBO ALIMENTACION INTERNA DW8-59 FI          | INNER TUBE DW8-59 FI                 |
| 82659              | 81717266      | TUBO ALIMENTACION IRRIGADOR SUP. DW8-59 FI   | ALIM.HOSE UPPER SPRAY DW8-59 FI      |
| 82660              | 81717267      | IRRIGADOR SUP.DW8-59 FI                      | UPPER SPRAY ARM DW8-59 FI            |
| 82724              | 81717268      | BLOQUE HIDRAULICO DW8-59 FI                  | SUMP DW8-59 FI                       |
| <b>Nº Plano: b</b> |               | <b>Descripción: PUERTA Y PANEL DE MANDOS</b> |                                      |
| 15555              | 81713125      | JUNTA CAJA DE PRODUCTO SMG                   | GASKET                               |
| 21494              | 81704324      | PLACA IZDA. CON GANCHO                       | L/H FACIA PANEL PLATE                |
| 21495              | 81704321      | PLACA DCHA. CON GANCHO                       | R/H FACIA PANEL PLATE                |
| 60329              | 81723061      | CIERRE PUERTA LP-790 T                       | DOORLOCK ASSY LP-790 T               |
| 62097              | 81716195      | KIT INSTALACION PUERTA TDW-60 FI             | WOOD DOOR FIX. ASB.                  |
| 63824              | 81716944      | PLANTILLA INSTAL. PANEL ADW7-59 FI           | PANEL TEMPLATE ADW7-59 FI            |
| 67541              | 81711025      | CIERRE PUERTA LP7-740                        | LOCK GROUP LP7-740                   |
| 75817              | 81717269      | PULSADOR GOMA DW8-59 FI                      | RUBBER SEL.BUTTON DW8-59 FI          |
| 81409              | 81717270      | CONTRAPUERTA DW8-59 FI                       | INNER DOOR ASS. DW8-59 FI            |
| 82667              | 81717271      | PANEL EXTERIOR PUERTA DW8-59 FI              | EXT. DOOR DW8-59 FI                  |
| 82737              | 81717272      | DISTRIBUIDOR DETERGENTE DW8-59 FI            | DISPENSER DW8-59 FI                  |
| 82758              | 81717273      | VISOR PROGRAMAS DW8-59 FI                    | PROGR.VIEWER DW8-59 FI               |
| 82764              | 81717274      | PULSADOR ON-OFF ELECT. DW8-59 FI             | PUSH-BUTTON S.BOARD DW8-59 FI        |
| 82765              | 81717275      | SOPORTE PROG. ELECTRONICO DW8-59 FI          | ELECTR.MODULE SUPPORT DW8-59 FI      |
| 84667              | 81717276      | TECLA-PULSADOR DW8-59 FI                     | BUTTON KEY DW8-59 FI                 |
| 85095              | 81717277      | PLACA ELECTRONICA OPCIONES DW8-59 FI         | ELEC.MOD.OPTIONS DW8-59 FI           |
| 85681              | 81717278      | MANUAL INSTRUCCIONES DW8-59 FI (IT-EN-FR-DE) | INSTR.MANUAL (IT-EN-FR-DE) DW8-59 FI |
| 85682              | 81717279      | MANUAL INSTRUCCIONES DW8-59 FI (ES.PT.RU)    | INSTR.MANUAL (ES.PT.RU) DW8-59 FI    |
| 85683              | 81717280      | PROGRAMADOR ELECTRONICO DW8-59 FI            | ELECTRONIC TIMER DW8-59 FI           |
| 85684              | 81717281      | VISOR OPCIONES DW8-59 FI                     | VISOR OPTIONS DW8-59 FI              |
| 85685              | 81717282      | BOTON ON-OFF DW8-59 FI                       | ON-OFF BUTTON DW8-59 FI              |
| 85686              | 81717283      | PANEL MANDOS DW8-59 FI                       | ELECTR.MODULE SUPPORT DW8-59 FI      |
| <b>Nº Plano: c</b> |               | <b>Descripción: CIRCUITO HIDRAULICO</b>      |                                      |
| 01623              | 81713162      | FILTRO TUBO ENTRADA SMG                      | FILTER                               |
| 36457              | 81713182      | JUNTA RECIPIENTE SAL SMG                     | JOINT ANNEAU                         |
| 40228              | 81719005      | JUNTA REPARTIDOR LATERAL LP780 (SAT)         | AIR BREAK GASKET                     |
| 43115              | 81723016      | TUERCA ENTRADA AGUA LP-790                   | LOAD RING STX20 LP-790               |

# Información técnica - despiece

| <u>Posicion</u>    | <u>Código</u> | <u>Artículo</u>                          | <u>Item</u>                            |
|--------------------|---------------|--|--|
| 50283              | 81723026      | CABLE+SOPORTE LP-790                     | CABLE+CABLE-HOLDER LP-790              |
| 50286              | 81723017      | TUBO PRESOSTATO LP-790                   | PRESSURE SWITCH PIPE LP-790            |
| 50625              | 81716029      | REPARTIDOR DW6-60 FI                     | AIRBREAK DW6-60 FI                     |
| 54351              | 81712006      | TUBO ENTRADA 1.5m LP6 770                | INLET HOSE 1.5mt LP6 770               |
| 59838              | 81716854      | TUERCA AMARRE DEP. SAL DW7-60 FI         | RING NUT SOFT.AWECO GREY               |
| 59844              | 81716855      | TAPA DEPOSITO SAL DW7-60 FI              | SALT CAP 2001 GREY AWECO               |
| 60089              | 81716828      | RESISTENCIA DW7-45 FI                    | HEATING ELEMENT DW7-45 FI              |
| 61770              | 81713073      | TUBO BOMBA-RESISTENCIA LP7-470           | HEATER-PUMP HOSE LP7-470               |
| 69007              | 81799052      | EMBUDO PARA SAL LP7-790 T                | SALT FUNNEL                            |
| 80779              | 81717284      | CURVA TUBO DESAGUE DW8-59 FI             | CURVE DRAIN PIPE DW8-59 FI             |
| 81327              | 81717285      | CUBIERTA CUBETA ASPIRACION DW8-59 FI     | DRAIN WELL SUCT.COVER DW8-59 FI        |
| 81331              | 81717286      | TUBO BLOQUE-RESISTENCIA DW8-59 FI        | HOSE SUMP-HEATING ELEMENT DW8-59 FI    |
| 81333              | 81717287      | BOMBA LAVADO DW8-59 FI                   | WASHING PUMP DW8-59 FI                 |
| 81334              | 81717288      | SOPORTE GOMA BOMBA LAVADO DW8-59 FI      | WASHING PUMP SUPPORT RUBBER DW8-59 F   |
| 81337              | 81717289      | DESCALCIFICADOR DW8-59 FI                | SOFTENER DW8-59 FI                     |
| 81411              | 81717290      | FILTRO ANTIPARASITARIO DW8-59 FI         | ANTI-NOISE FIL-BRACKET DW8-59 FI       |
| 81414              | 81717291      | BOMBA DESAGÜE DW8-59 FI                  | DRAIN PUMP DW8-59 FI                   |
| 81417              | 81717292      | TUBO DESAGÜE DW8-59 FI                   | DRAIN HOSE DW8-59 FI                   |
| 81461              | 81717293      | ACUASTOP POLIESTIRENO DW8-59 FI          | POLYSTYRENE WATER-STOP DW8-59 FI       |
| 81725              | 81717294      | SONDA NTC DW8-59 FI                      | NTC SENSOR DW8-59 FI                   |
| 81726              | 81717295      | VALVULA ANTI-RETORNO DW8-59 FI           | NON RETURN VALVE DW8-59 FI             |
| 82623              | 81717296      | TUBO ELECTROVALVULA-REPARTIDOR DW8-59 FI | HOSE VALVE-AIRBREAK DW8-59 FI          |
| 82685              | 81717297      | ELECTROVALVULA ENTRADA DW8-59 FI         | SOLENOID VALVE DW8-59 FI               |
| 82686              | 81717298      | MICRO INTERRUPTOR ACUASTOP DW8-59 FI     | MICRO-SWITCH DW8-59 FI                 |
| 82690              | 81717299      | PRESOSTATO DW8-59 FI                     | PRESSURE SWITCH DW8-59 FI              |
| 82732              | 81717300      | TUBO BLOQUE-DESCALCIFICADOR DW8-59 FI    | HOSE SUMP-SOFTENER DW8-59 FI           |
| 82855              | 81717301      | TUBO BOMBA-BLOQUE DW8-59 FI              | HOSE PUMP-SUMP DW8-59 FI               |
| <b>Nº Plano: d</b> |               | <b>Descripción: CUERPO Y CESTAS</b>      |  |
| 36465              | 81713212      | TRAVIESA POSTERIOR SUJECION SMG          | UPPER CROSSPIECE                       |
| 36500              | 81713219      | SOPORTE GANCHO CIERRE SMG                | HOOK BLOCK                             |
| 38905              | 81711685      | CUBIERTA SUPERIOR TDW 59.1 FI            | COVER                                  |
| 40569              | 81722032      | PERNO AMARRE CESTO TDW-80 FI             | PIN                                    |
| 50141              | 81723035      | TOPE GUÍAS CESTO LP-790                  | BASKET RAIL TERMINAL PART LP-790       |
| 51149              | 81723033      | PERNO AMARRE GUÍAS CESTO LP-790          | BASKET GUIDES SUPPORT PIN LP-790       |
| 54874              | 81716056      | PROTECTOR JUNTA PUERTA DCHO.DW6-59FI VR2 | SPRINKLE PROT.NEW RIGHT DW6-59 FI VR02 |
| 54875              | 81716057      | PROTECTOR JUNTA PUERTA IZDO DW6-59FI VR2 | SPRINKLE PROT. NEW LEFT DW6-59 FI VR02 |
| 54876              | 81716058      | JUNTA PUER.VERSION CORTA DW6-59 FIVR02 * | TUB GASKET SHORT VERSION DW6-59 FI VR0 |
| 61098              | 81799047      | GANCHO CIERRE TLV-60.3                   | LOCKING LATCH TLV-60.3                 |
| 62025              | 81799049      | PERFIL POSTERIOR TLV-60.3                | TANK SUPPORT BACK 60CM TLV-60.3        |
| 62417              | 81716863      | TORNILLO GANCHO CIERRE DW7-60 FI         | LOCKING LATCH SCREW DW7-60 FI          |
| 62827              | 81716845      | TAPA CLIP CENTRADO PUERTA DW7-45 FI      | DOOR CENTRAT. CLIP CAP DW7-45 FI       |
| 63605              | 81716864      | CLIP CENTRADO PUERTA DW7-60 FI           | DOOR CENTRAT. CLIP DW7-60 FI           |
| 66095              | 81716979      | CESTILLO CUBIERTOS DW7-55 S              | CUTLERY BASKET DW7-55 S                |
| 73618              | 81722058      | GUIA CESTO SUPERIOR DW7-80 FI 3          | UPPER RACK SLIDES 430                  |
| 73953              | 81722057      | TORNILLO SOPORTE REFORZADO DW7-80 FI 3   | SCREW WHEELS SUPP.REINFOR              |
| 75847              | 81717216      | CONJ. RUEDAS CESTO SUP. DW7-60 SA        | GR.UPPER BASKET WHEEL G.               |
| 76170              | 81723106      | RUEDA CESTO INF. GRIS LP7-790 A          | LOWER BASKET WHEEL GREY                |

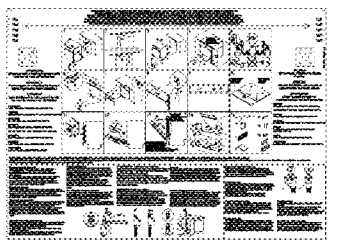
## Información técnica - despiece

| <u>Posicion</u> | <u>Código</u> | <u>Artículo</u>                              | <u>Item</u>                        |
|-----------------|---------------|--|------------------------------------|
| 80121           | 81717237      | TAPA CESTO CUBIERTOS A-DW7 59 FI 3           | CUTLERY BASKET COVER A-DW7 59 FI 3 |
| 80198           | 81717235      | CESTO INFERIOR A-DW7 59 FI 3                 | LOWER BASKET A-DW7 59 FI 3         |
| 81298           | 81717302      | BANDEJA ACUASTOP DW8-59 FI                   | TRAY FOR WATERSTOP DW8-59 FI       |
| 81299           | 81717303      | BASE DW8-59 FI                               | BASEMENT DW8-59 FI                 |
| 81300           | 81717304      | PATA TRASERA AJUSTABLE DW8-59 FI             | BACK ADJUSTABLE FOOT DW8-59 FI     |
| 81301           | 81717305      | TUERCA PATA TRASERA AJUSTABLE DW8-59 FI      | RING NUT BACK ADJ.FOOT DW8-59 FI   |
| 81305           | 81717306      | ESPIRAL PATA TRASERA AJUSTABLE DW8-59 FI     | SPIR.SCREW ADJ.FOOT DW8-59 FI      |
| 81324           | 81717307      | PATA DELANTERA DW8-59 FI                     | FRONT FEET DW8-59 FI               |
| 81406           | 81717308      | JUNTA INFERIOR CUBA                          | TANK LOWER GASKET DW8-59 FI        |
| 81407           | 81717309      | BISAGRA DERECHA DW8-59 FI                    | RIGHT HINGE DW8-59 FI              |
| 81408           | 81717310      | BISAGRA IZQUIERDA DW8-59 FI                  | LEFT HINGE DW8-59 FI               |
| 81425           | 81717311      | TAPA SIST. AJUSTE PATAS DW8-59 FI            | CAP FOR ADJUST.FOOT DW8-59 FI      |
| 81457           | 81717312      | BARRA SIST. AJUSTE PATAS DW8-59 FI           | BAR ADJUSTABLE FOOT DW8-59 FI      |
| 81459           | 81717313      | PANEL LATERAL DERECHO DW8-59 FI              | RIGHT SIDE PANEL DW8-59 FI         |
| 81727           | 81717314      | ZOCALO DW8-59 FI                             | KICKSTEP DW8-59 FI                 |
| 82661           | 81717315      | FRENO PEQUEÑO IZDO. TENSOR BISAGRA DW8-59 FI | LEFT SMALLER CLUTCH DW8-59 FI      |
| 82662           | 81717316      | FRENO PEQUEÑO DCHO. TENSOR BISAGRA DW8-59 FI | RIGHT SMALLER CLUTCH DW8-59 FI     |
| 82665           | 81717317      | PANEL LATERAL IZQUIERDO DW8-59 FI            | LEFT SIDE PANEL DW8-59 FI          |
| 82666           | 81717318      | PERFIL SUP. CUBA DW8-59 FI                   | TUB FILLET DW8-59 FI               |
| 82704           | 81717319      | FRENO GRANDE DCHO. BISAGRA DW8-59 FI         | RIGHT GREATER CLUTCH DW8-59 FI     |
| 82705           | 81717320      | FRENO GRANDE IZDO. BISAGRA DW8-59 FI         | LEFT GREATER CLUTCH DW8-59 FI      |
| 82712           | 81717321      | MUELLE BISAGRA DW8-59 FI                     | HINGE SPRING DW8-59 FI             |
| 82722           | 81717322      | CABLE BISAGRA DW8-59 FI                      | CORD FOR HINGES DW8-59 FI          |
| 82723           | 81717323      | PERNO FRICCION FRENO BISAGRA DW8-59 FI       | PIN CLUTCH DW8-59 FI               |
| 83379           | 81717324      | CESTO SUPERIOR DW8-59 FI                     | UPPER BASKET DW8-59 FI             |
| 84575           | 81717325      | SOPORTE CUBIERTOS CESTO SUP. DW8-59 FI       | INSERT CUTLERY BASKET DW8-59 FI    |
| 84576           | 81717326      | SOPORTE TAZAS CESTO SUP. DW8-59 FI           | FLUTE FLAP DW8-59 FI               |

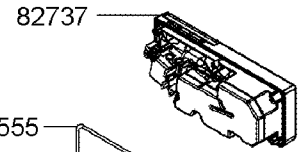


# LAVAVAJILLAS / DISHWASHER MOD. DW8-59 FI

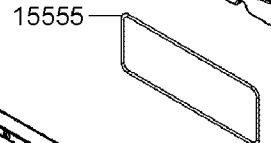
b



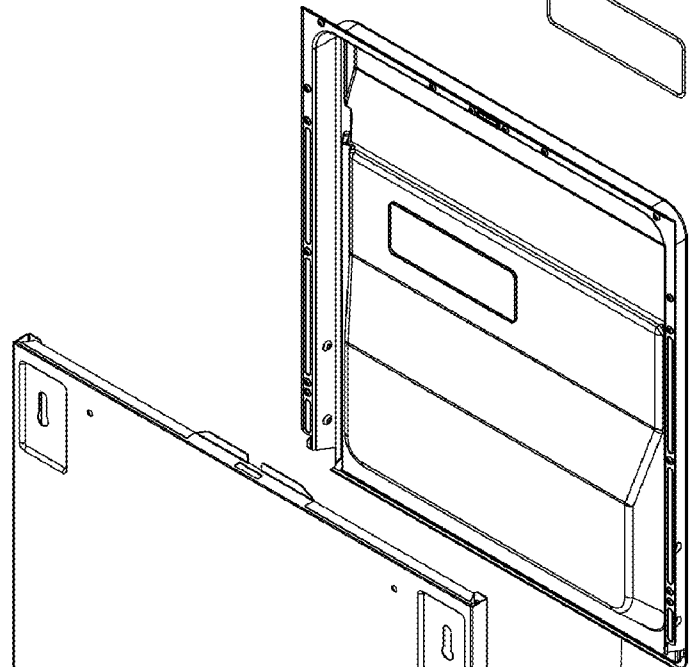
63824



82737



15555

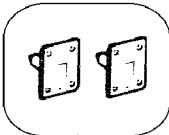


DX 21494  
SX 21495

81409

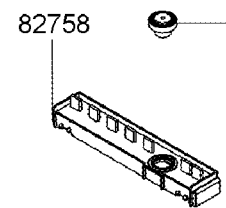
85681  
85682

82667

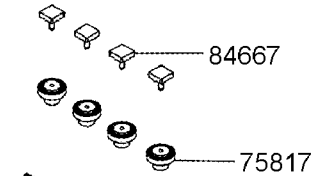


62097

84667  
75817

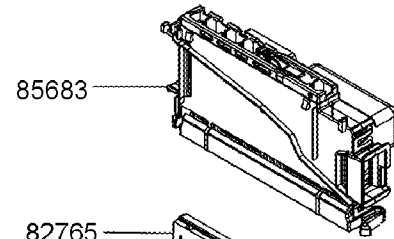


82758

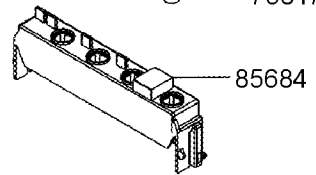


84667

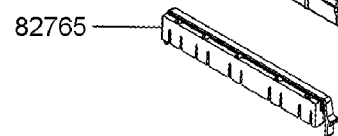
75817



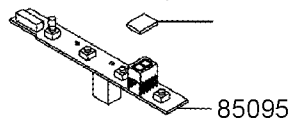
85683



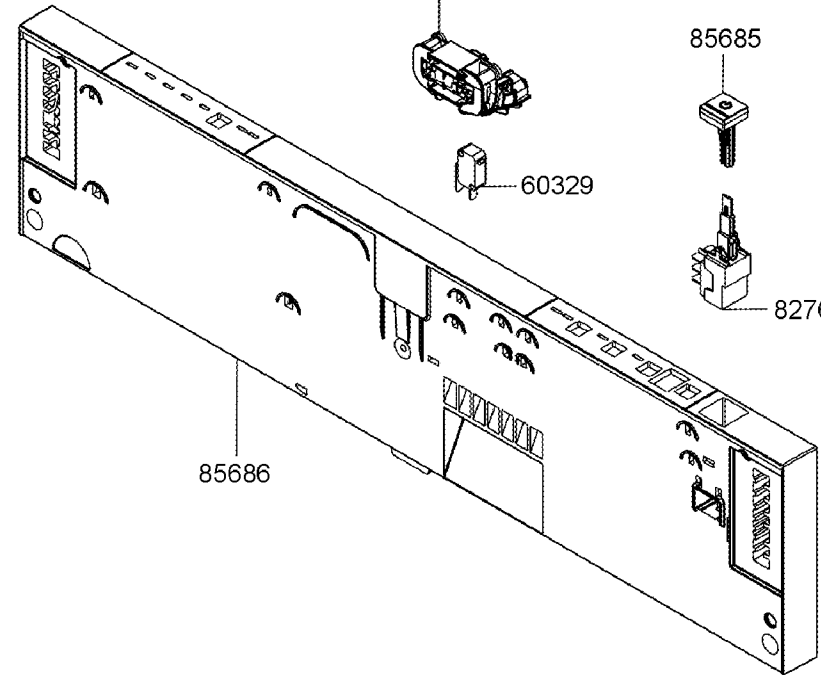
85684



82765

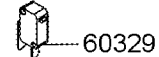
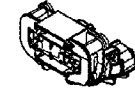


85095

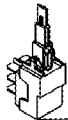


67541

85685



60329

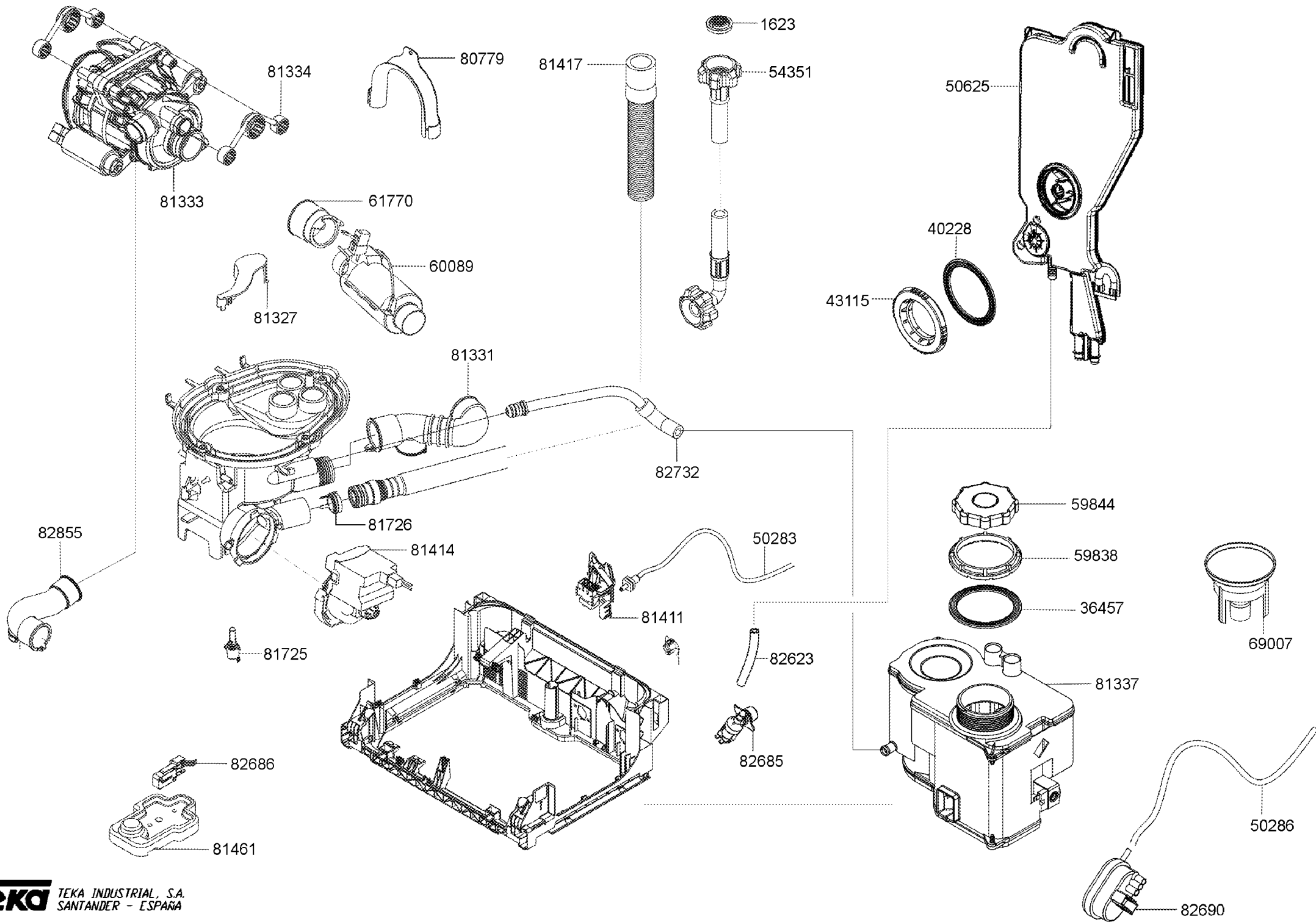


82764

85686

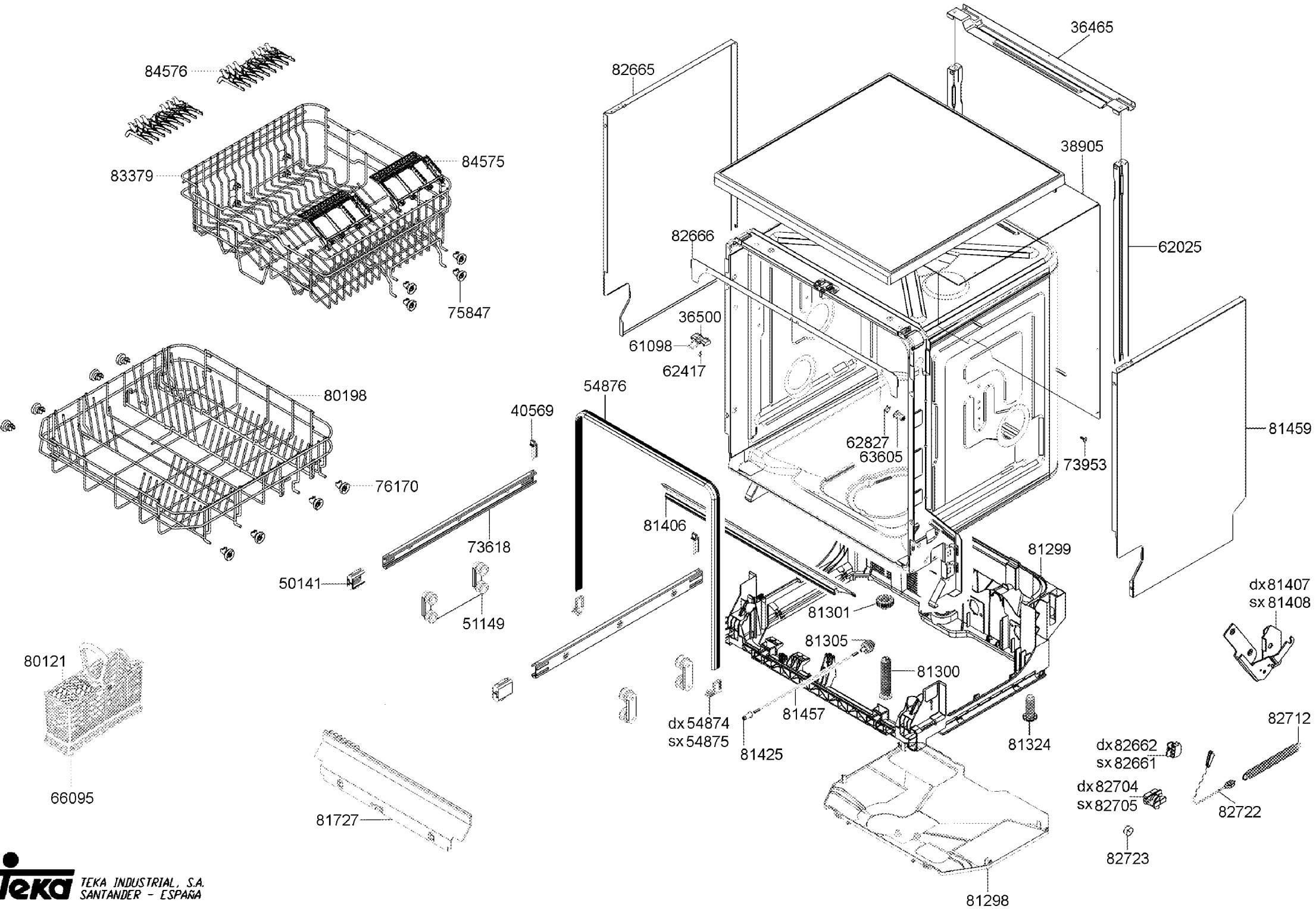
# LAVAVAJILLAS / DISHWASHER MOD. DW8-59 FI

c

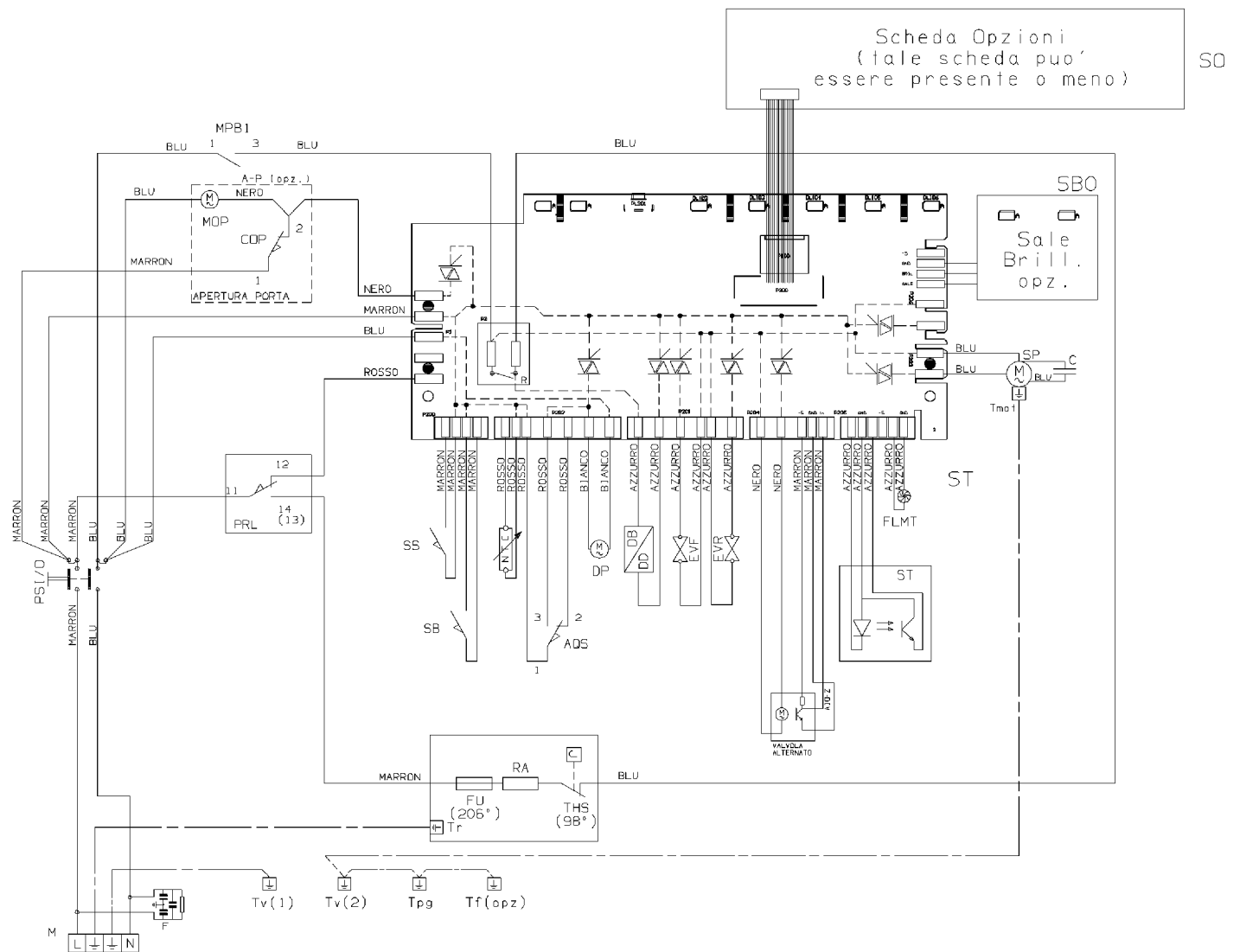


# LAVAVAJILLAS / DISHWASHER MOD. DW8-59 FI

d



# LAVAVAJILLAS / DISHWASHER MOD. DW8-59 FI



LEGENDE COLLEGAMENTI / LEGENDE CABALGE  
WIRING SCHEME / ZEICHENERKLÄRUNG ANSCHLUESSE

- CABLAGGIO ESTERNO  
CABLAGE EXTERIEUR  
EXTERNAL WIRING  
CABELBAUM
- - - - - COLLEGAMENTI SU SCHEDA  
TRACE' ELETTRONIQUE  
PCB WIRING  
SPUR AUF ELETRONIK
- COLLEGAMENTO DI TERRA  
CABLE DE TERRE  
EARTH WIRING  
ERDUNGSKABEL

SEZIONE FILI / SECTION DE FIL  
WIRING SECTION / DURCHMESSER KABEL

- ø1.5mm / AWG16
- ø0.5mm / AWG18
- ø0.35mm
- ø1mm / AWG16

LEGENDE SIMBOLI

| I         | F                            | GB                      | D                            |
|-----------|------------------------------|-------------------------|------------------------------|
| L/N       | Plaque a bornes              | Terminal Block          | Anschlussklemme              |
| F         | Filtre antiparasitage        | Suppressor Filter       | Funkentstorfiter             |
| I/O       | Arrêt/Marche                 | ON/OFF                  | ON/OFF                       |
| FLMT      | Mesurateur quantitat' de eau | Flow Meter              | Turbinmesser                 |
| NTC       | Sonde thermique              | Temperature sensor      | Luft temperaturfuhrer        |
| MPB1      | Microinterrupteur1 serrature | Door switch 1           | Ter-mikroschalter1           |
| MPB2      | Microinterrupteur2 serrature | Door switch 2           | Ter-mikroschalter2           |
| DDB       | Doseur de detergent          | Detergent Dispenser     | Spulmitteibehalter           |
| EVC       | Electrovanna eau             | Load Electric valve     | Waschen ventil               |
| DP        | Pompe de vidange             | Drain Pump              | Abwasserpumpe                |
| AOS       | Micro Acquistop              | Acquistop               | Acquistop                    |
| PRL       | Pressostat                   | Pressure switch         | Druckschalter                |
| SP        | Moteur Lavaggio              | Wash motor              | Umwalzpumpe                  |
| EVR       | Electrovanna de ola rigenera | Rigeneration            | Elektronventil regenerierung |
| RA        | Resistance                   | Heating element         | Heizkorper                   |
| THS       | Thermostat de securite'      | Safety thermostat       | Sicherheitsthermostat        |
| FU        | Fusibile                     | Fusible                 | Fusible                      |
| MV        | Ventilateur                  | Fan element             | Ventilator                   |
| SB        | Detecteur du brillant        | Sensor brightener       | Sensor klarspueler           |
| SS        | Detecteur du sal             | Sensor salt             | Sensor salt                  |
| (ALT) DIV | Position valve du echange    | Diverterer position     | Diverterer positionen        |
| (ALT) MA  | Moteur valve de echange      | Diverter motor          | Diverter motor               |
| TR        | Relé'                        | Relé'                   | Relé'                        |
| R         | Relé' Riscaldamento          | Relé'                   | Relé'                        |
| LD        | Led                          | Led                     | Led                          |
| SC        | Scheda Elettronica           | Carte Electronique      | Timer elektronik             |
| SO        | Scheda Opzioni               | Carte Opzioni           | Elektronik Zusatzfunktionen  |
| ST        | Sensore Torbidita'           | Detecteur du trouble    | Turbidita' Sensor            |
| EVC       | Electrovanna 1/2 charge      | Electrovanna 1/2 charge | 1/2 belastung valve          |
| SBO       | Carte sal brillant           | Carte sal brillant      | Opt salt rinses aid          |
| MOP       | Moteur du porte              | Moteur du porte         | Motor tur                    |
| COP       | Detecteur du porte           | Detecteur du porte      | Sensor tur                   |